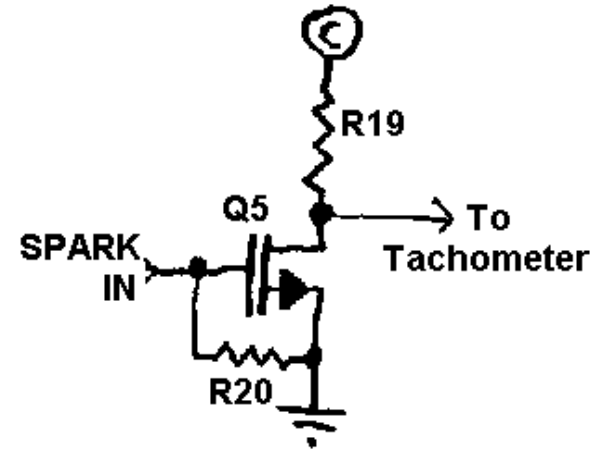
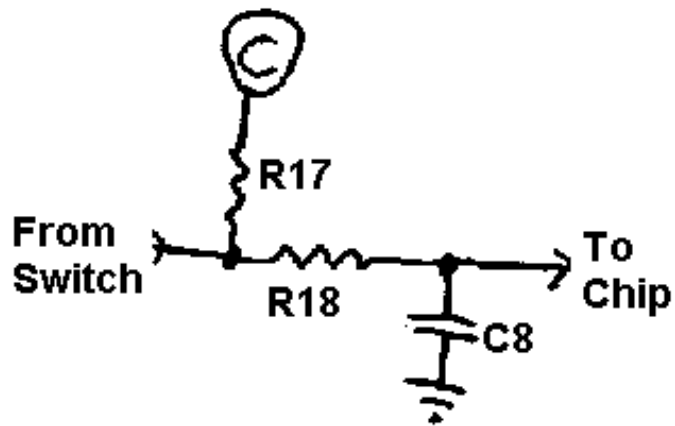


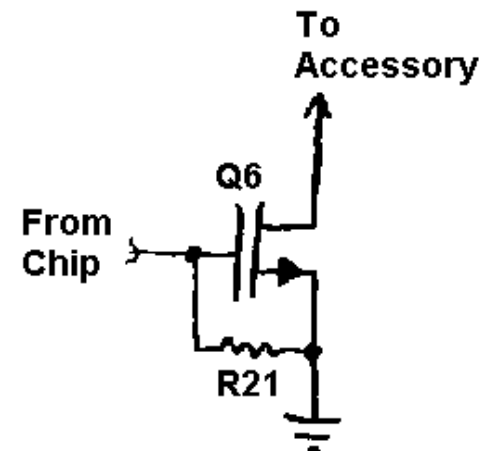
Rev/Ret Input +



Tach Driver



Rev/Ret Input -



RPM Switch

